

# E4 1-1/4" Clamped Metallic Pumps Specifications and Performance

## SPECIFICATIONS

E4

**FLOW RATE** (Adjustable)... 0-70 gpm (0-265 lpm)

**PORT SIZE**

Inlet..... 1.50" NPT (BSP)

Outlet..... 1.25" NPT (BSP)

**AIR INLET**..... 0.50" NPT

**AIR EXHAUST**..... 0.75" NPT

**SUCTION LIFT**.... 15' Dry/25' Wet (4.57m/7.62m)

Teflon®..... 10' Dry/20' Wet (3.05m/6.09m)

**MAX. PARTICLE SIZE** (Dia.).....0.1875"(4.76mm)

**SHIPPING WEIGHTS**

Aluminum..... 41 lbs (18.60 kg)

Cast Iron..... 57 lbs (25.85 kg)

Hastelloy C..... 57 lbs (25.85 kg)

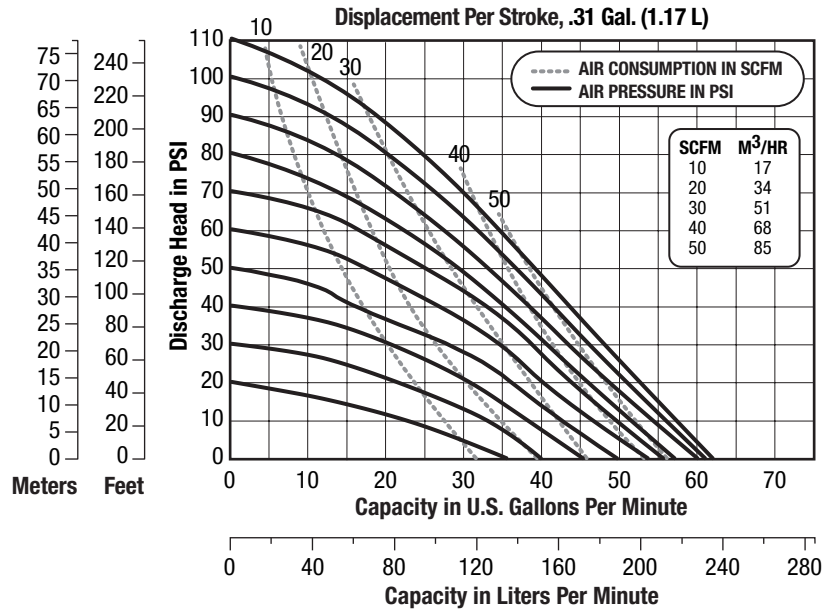
Stainless..... 57 lbs (25.85 kg)



## PERFORMANCE

Determined by actual flow meter tests.

E4



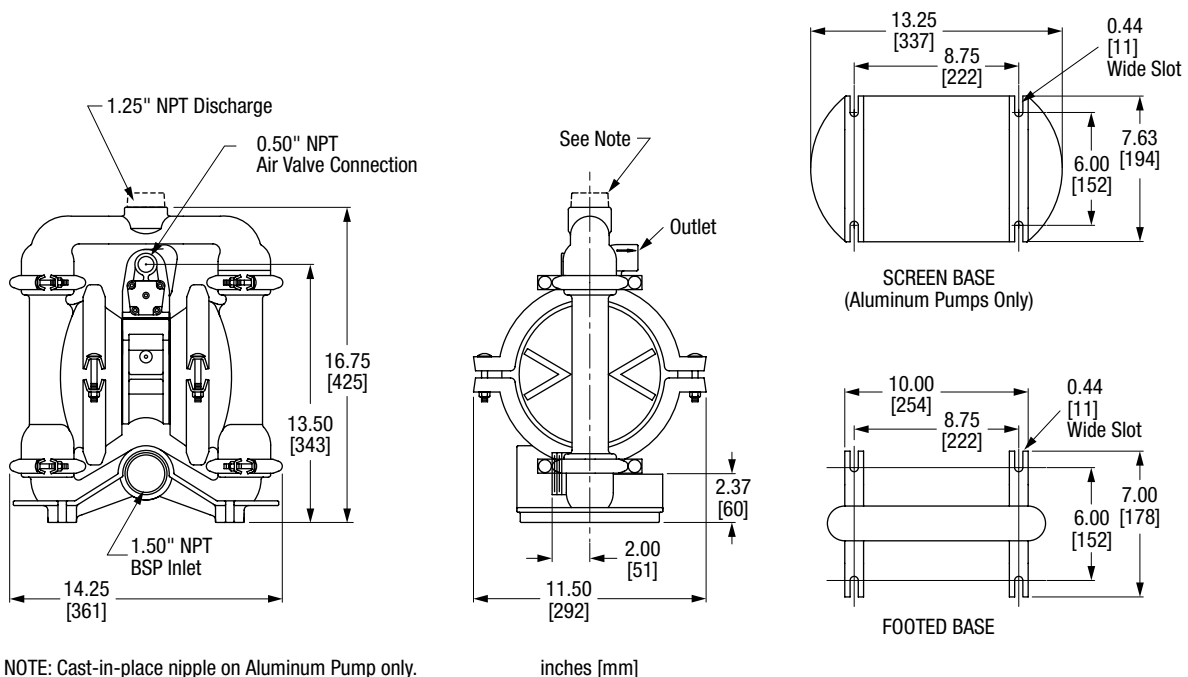
**NOTE:** For E4 pumps fitted with Teflon® diaphragms, reduce water discharge figures by 20%. Suction lift is reduced to 10' (3.05m) dry and 20' (6.10m) wet.

**CAUTION:** Do not exceed 125 psig (8.5 bars) air supply or liquid pressure.

## DIMENSIONS

Consult factory for certified drawings.

E4



# E4 1-1/2" Bolted Metallic Pumps Specifications and Performance

## SPECIFICATIONS

E4

**FLOW RATE** (Adjustable) ... 0-72 gpm (0-275 lpm)

**PORT SIZE**

Inlet and Outlet ..... 1.50" ANSI/DIN

**AIR INLET** ..... 0.50" NPT

**AIR EXHAUST** ..... 0.75" NPT

**SUCTION LIFT** ... 15' Dry/25' Wet (4.57m/7.62m)

Teflon® ..... 10' Dry/20' Wet (3.05m/6.09m)

**MAX. PARTICLE SIZE** (Dia.) .... 0.1875" (4.76mm)

**SHIPPING WEIGHTS**

Stainless Steel ..... 65 lbs (29.5 kg)

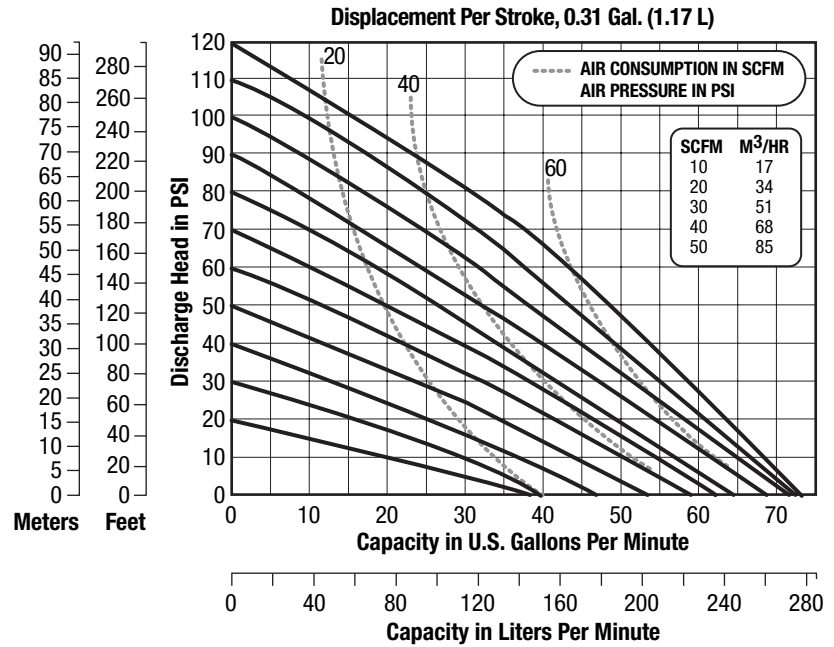
Hastelloy C ..... 68 lbs (30.8 kg)



## PERFORMANCE

Determined by actual flow meter tests.

E4

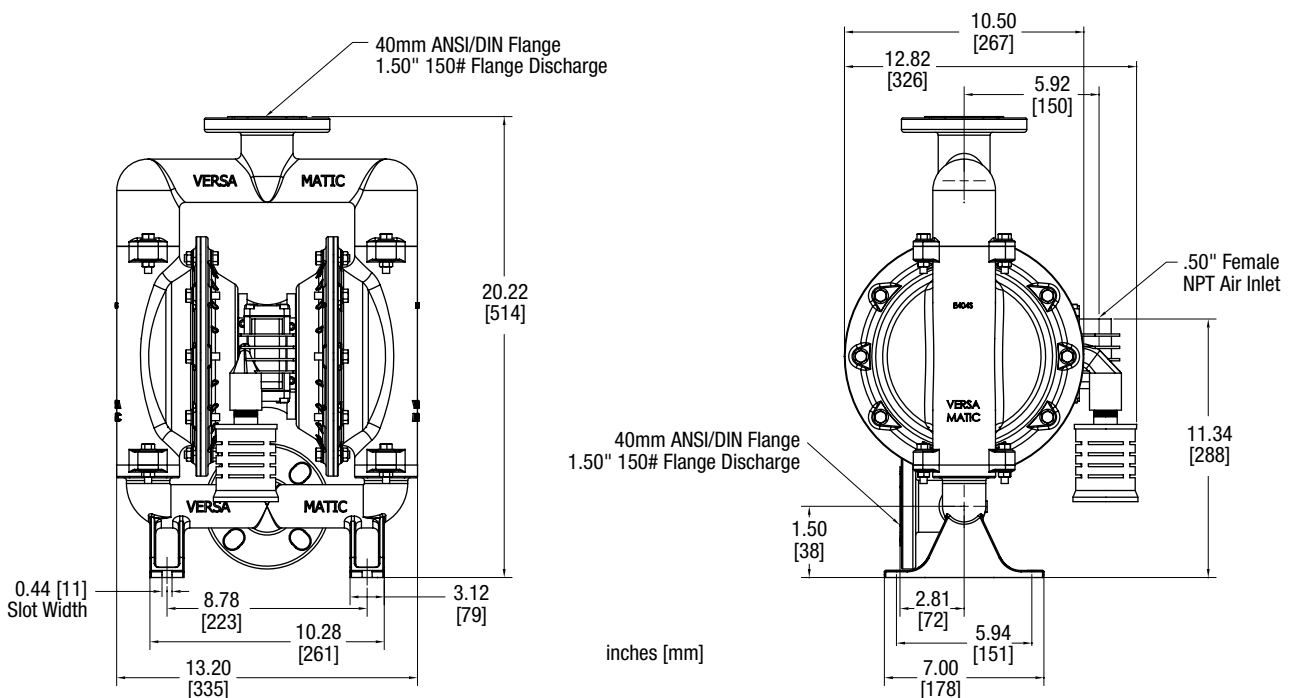


**CAUTION:** Do not exceed 125 psig (8.5 bars) air supply or liquid pressure.  
**Horizontal Discharge Model Available.**

## DIMENSIONS

Consult factory for certified drawings.

E4



# E4 1-1/2" Plastic Bolted Pumps

## Specifications and Performance

### SPECIFICATIONS

E4

**FLOW RATE** (Adjustable)... 0-72 gpm (0-272 lpm)

**PORT SIZE**

Inlet and Outlet..... 1.50" ANSI/DIN Flanged

**AIR INLET** ..... 0.50" NPT

**AIR EXHAUST** ..... 0.75" NPT

**SUCTION LIFT** .... 15' Dry/25' Wet (4.57m/7.62m)

Teflon®..... 10' Dry/20' Wet (3.05m/6.09m)

**MAX. PARTICLE SIZE** (Dia.) ..... 0.1875"(4.76mm)

**SHIPPING WEIGHTS**

Polypropylene ..... 32 lbs (14.5 kg)

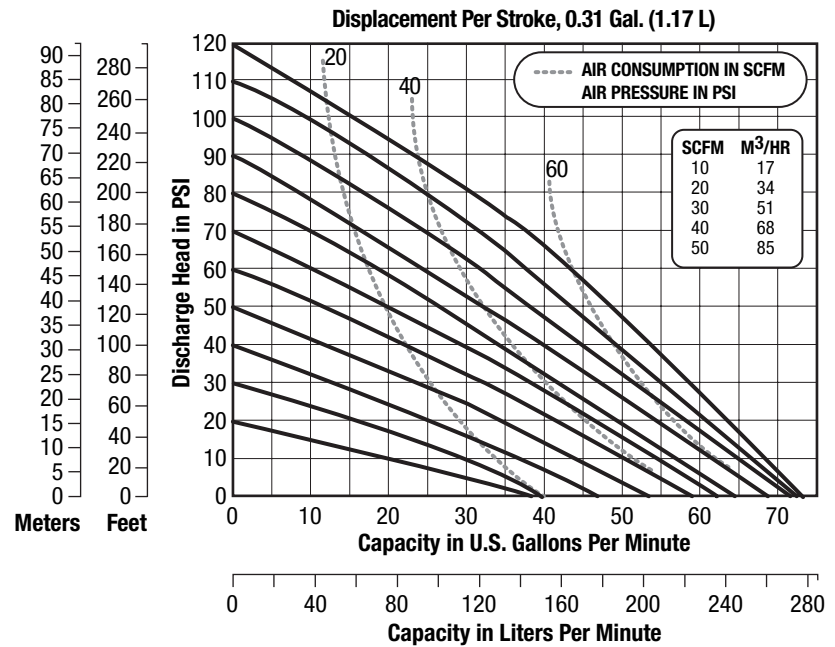
Kynar® ..... 45 lbs (20.4 kg)



### PERFORMANCE

Determined by actual flow meter tests.

E4



**NOTE:** For E4 pumps fitted with Teflon® diaphragms, reduce water discharge figures by 20%. Suction lift is reduced to 10' (3.05m) dry and 20' (6.10m) wet.

**CAUTION:** Do not exceed 125 psig (8.5 bars) air supply or liquid pressure.  
**Swivel Inlet/Discharge.**

### DIMENSIONS

Consult factory for certified drawings.

E4

