

# E1 1" Bolted Metallic Pumps Specifications and Performance

## SPECIFICATIONS

E1

**FLOW RATE** (Adjustable) ..... 0-35 gpm (132 lpm)

**PORT SIZE**

Inlet and Outlet ..... 1.0" Female NPT (BSP)

**AIR INLET** ..... 0.375" NPT

**AIR EXHAUST** ..... 0.50" NPT

**SUCTION LIFT** .... 15' Dry/25' Wet (4.57m/7.62m)

Teflon® ..... 10' Dry/20' Wet (3.05m/6.10m)

**MAX. PARTICLE SIZE** (Dia.r) ..... 0.125" (3.17mm)

**SHIPPING WEIGHTS**

Aluminum ..... 31 lbs (14.07 kg)

Stainless ..... 42 lbs (19.05 kg)

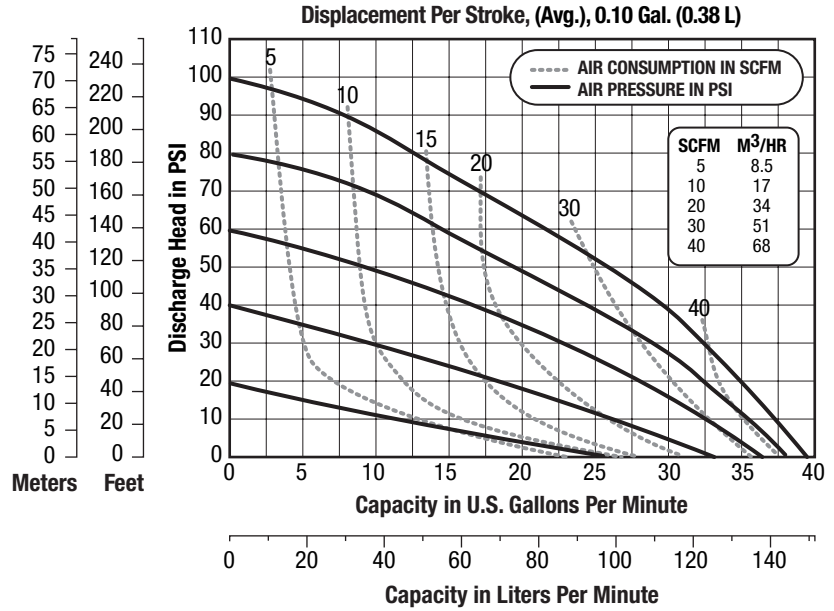
Hastelloy C ..... 42 lbs (19.05 kg)



## PERFORMANCE

Determined by actual flow meter tests.

E1



**NOTE:** For E1 pumps fitted with Teflon® diaphragms, reduce water discharge figures by 20%. Suction lift is reduced to 10' (3.05m) dry and 20' (6.10m) wet.

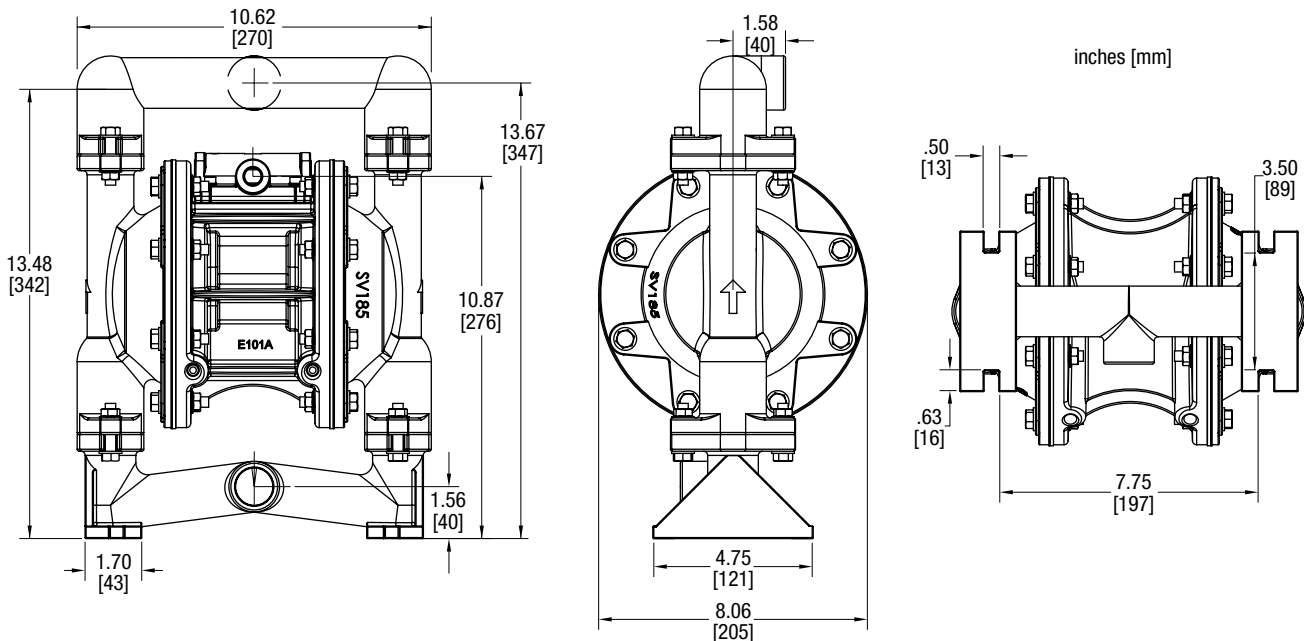
**CAUTION:** Do not exceed 125 psig (8.5 bars) air supply or liquid pressure.

**UL Listed Models Available.**

## DIMENSIONS

Consult factory for certified drawings.

E1



# E1 1" Plastic Bolted Pumps: Standard Porting Specifications and Performance

## SPECIFICATIONS

E1

**FLOW RATE** (Adjustable) ..... 0-35 gpm (132 lpm)

**PORT SIZE**

Inlet and Outlet..... 1.0" ANSI/DIN Flanged

**AIR INLET** ..... 0.375" NPT

**AIR EXHAUST** ..... 0.50" NPT

**SUCTION LIFT** .... 15' Dry/25' Wet (4.57m/7.62m)

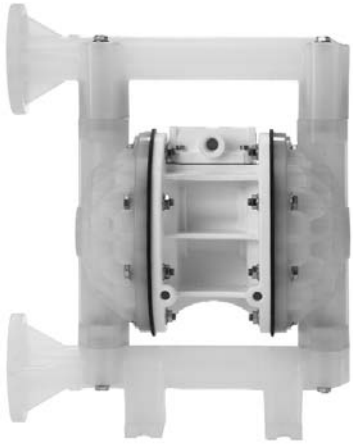
Teflon®..... 10' Dry/20' Wet (3.05m/6.10m)

**MAX. PARTICLE SIZE** (Dia.) .....0.125"(3.17mm)

**SHIPPING WEIGHTS**

Polypropylene ..... 24 lbs (10.9 kg)

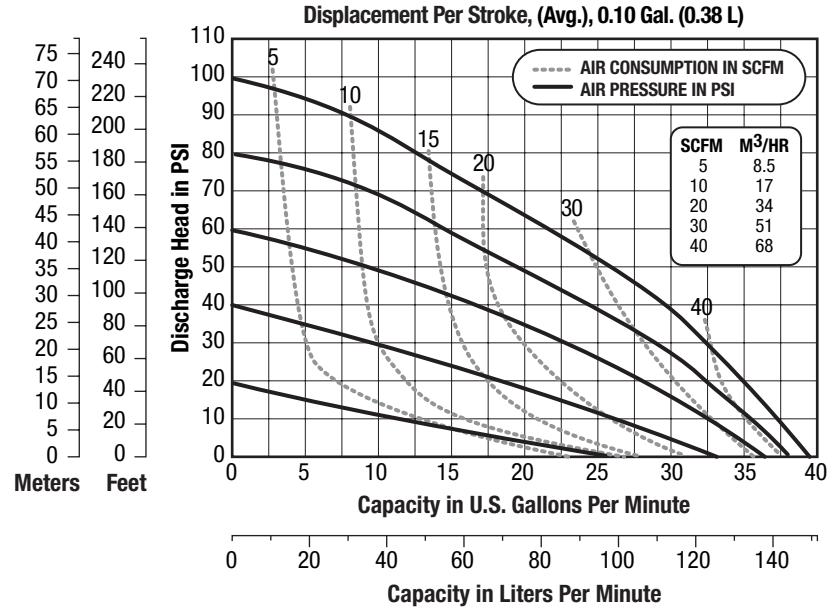
Kynar® ..... 24 lbs (10.9 kg)



## PERFORMANCE

Determined by actual flow meter tests.

E1



**NOTE:** For E1 pumps fitted with Teflon® diaphragms, reduce water discharge figures by 20%. Suction lift is reduced to 10' (3.05m) dry and 20' (6.10m) wet.

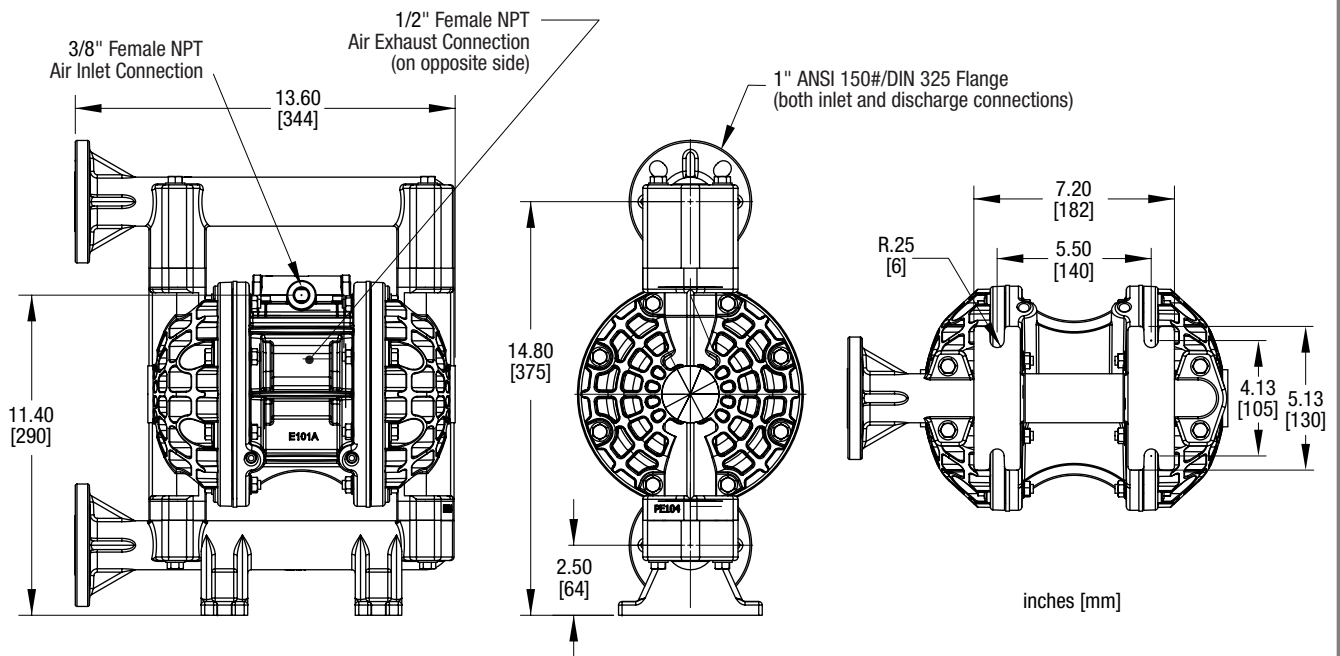
**CAUTION:** Do not exceed 100 psig (6.9 bars) air supply or liquid pressure.

**OPTIONS:** Center Port and Split Manifolds Available.

## DIMENSIONS

Consult factory for certified drawings.

E1

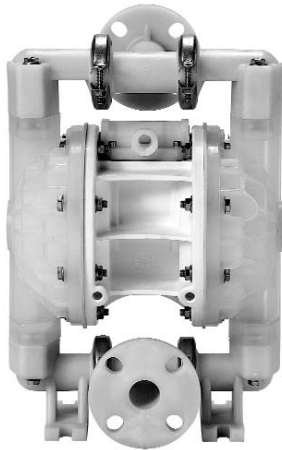


# E1 1" Plastic Bolted Pumps: Optional Porting Specifications and Performance

## SPECIFICATIONS

E1

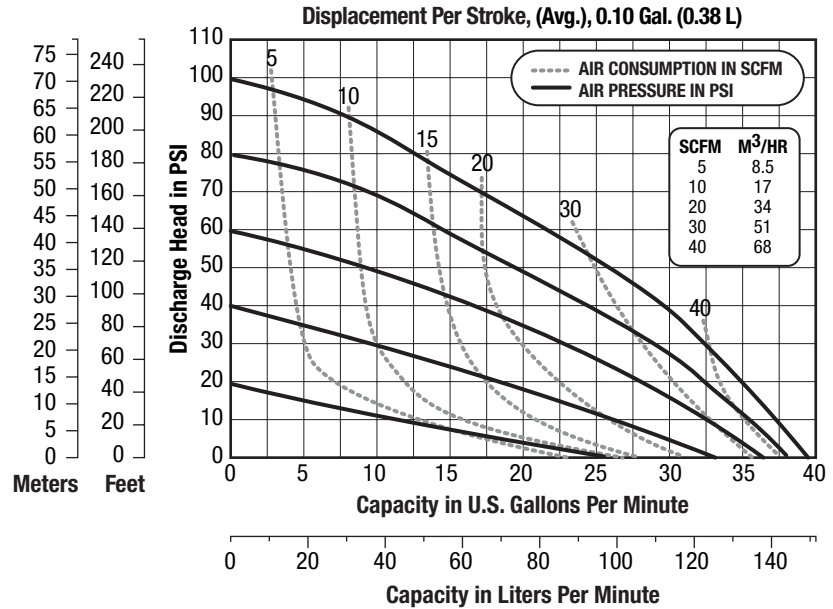
**FLOW RATE** (Adjustable) ..... 0-35 gpm (132 lpm)  
**PORT SIZE**  
 Inlet and Outlet..... 1.0" ANSI/DIN Flanged  
**AIR INLET** ..... 0.375" NPT  
**AIR EXHAUST** ..... 0.50" NPT  
**SUCTION LIFT** .... 15' Dry/25' Wet (4.57m/7.62m)  
 Teflon®..... 10' Dry/20' Wet (3.05m/6.10m)  
**MAX. PARTICLE SIZE** (Dia.) .....0.125"(3.17mm)  
**SHIPPING WEIGHTS**  
 Polypropylene ..... 24 lbs (10.9 kg)  
 Kynar® ..... 24 lbs (10.9 kg)



## PERFORMANCE

Determined by actual flow meter tests.

E1



**NOTE:** For E1 pumps fitted with Teflon® diaphragms, reduce water discharge figures by 20%. Suction lift is reduced to 10' (3.05m) dry and 20' (6.10m) wet.

**CAUTION:** Do not exceed 100 psig (6.9 bars) air supply or liquid pressure.

**OPTIONS:** Center Port and Split Manifolds Available.

## DIMENSIONS

Consult factory for certified drawings.

E1

